



# HS-AH600 Six Room Audio Distribution Module

## Installation Instructions

### Introduction

The HS-AH600 is a six room Audio Distribution Hub for use with the DSC Concourse Home Systems wiring solution. This module can be installed in any of the Concourse Home Systems panels using the supplied mounting hardware. Impedance-matching volume controls and speakers (not supplied) will be required to complete the installation.

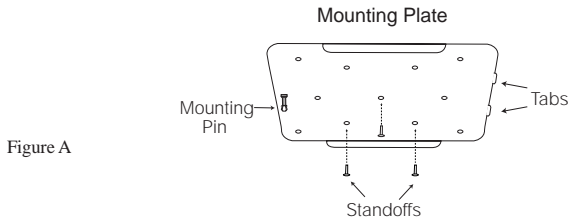
### Contents of Package

Before installing the module, confirm that the package contains the following parts:

- one HS-AH600 Audio Distribution Hub
- one HS-MP200 mounting plate
- three plastic standoffs.

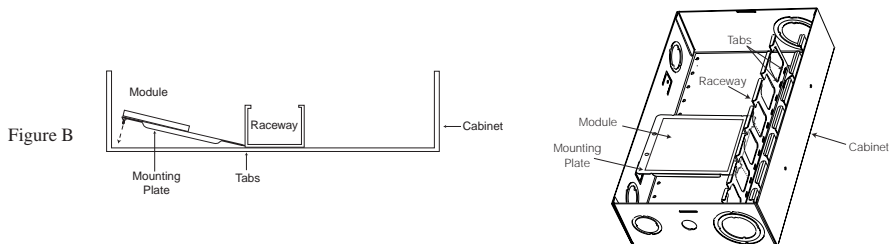
### Installation Instructions

1. Insert the standoffs into the mounting plate as per Figure A, matching the hole pattern on the HS-AH600 Audio Distribution Hub.



**Note:** There are two possible placement positions.

2. Align the HS-AH600 Audio Distribution Hub over the stand-offs and snap into place.
3. Locate a suitable mounting location for the HS-AH600 Audio Distribution Hub inside the cabinet.
4. Align the two mounting tabs with the holes in the wire raceway and insert as per Figure B.



5. Snap the module into place by pushing the opposite side towards the back of the cabinet.

### Wiring Instructions

1. Run 2 pairs of speaker wire (10 AWG max.) from the cabinet to the audio amplifier and from the cabinet to each desired speaker pair location. Allow sufficient length at both ends of the run to avoid stress and for proper termination and trim out. Label all speaker wires at both ends for easier identification.
2. Strip ¼" of insulation off the input speaker wires and insert into the input terminals of the AH600 Audio Distribution Hub marked 'Input' observing L and R pairing and '+'/ '-' phasing.
3. Strip ¼" of insulation off the output speaker wires and insert into the output terminals (up to six) of the AH600 Audio Distribution Hub marked 'O/P' observing L and R pairing and '+'/ '-' phasing.
4. At each of the speaker pair locations, strip sufficient insulation off the output speaker wires and connect to the impedance-matching volume controls (not supplied) following manufacturer's instructions. See Figure C.
5. At the audio amplifier, strip sufficient insulation off the speaker wires that were run to the cabinet. Connect to the output terminals of the audio amplifier, matching left and right and '+'/ '-', phasing in step 2.

### Specifications

Input Channels: .....	1
Output Channels: .....	6
Volume Control: .....	Not Provided
Impedance Matching: .....	Not Provided
Speakers: .....	Not Provided
Speaker Wire AWG: .....	10 AWG Maximum
Dimensions: .....	4.9 cm W x 9.2 cm L

# Wiring Diagram

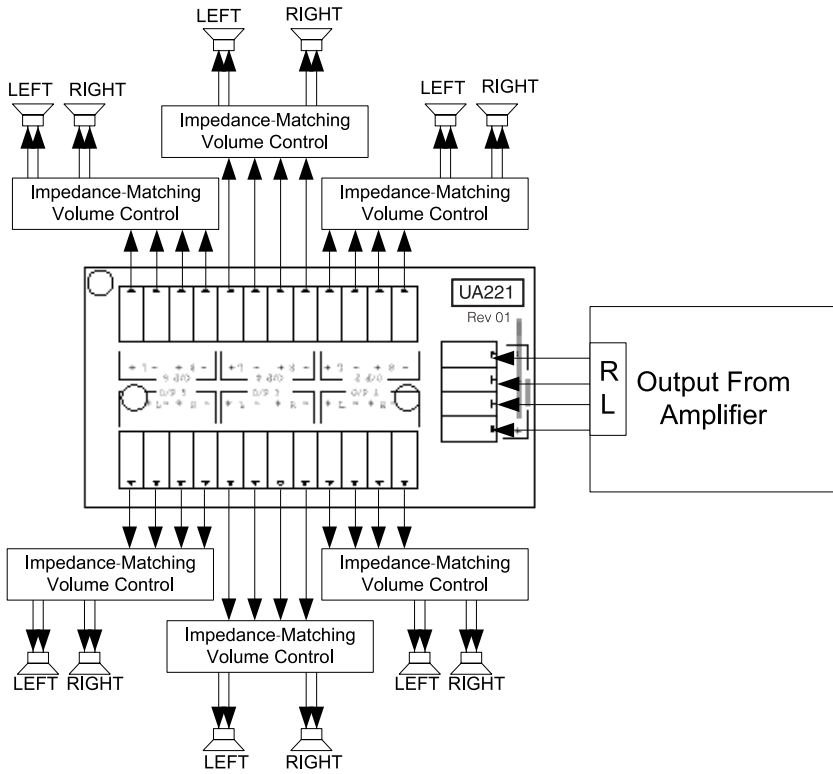


Figure C

## Warranty

Digital Security Controls Ltd. warrants that for a period of 12 months from the date of purchase, the product shall be free of defects in materials and workmanship under normal use and that in fulfillment of any breach of such warranty, Digital Security Controls Ltd. shall, at its option, repair or replace the defective equipment upon return of the equipment to its repair depot. This warranty applies only to defects in parts and workmanship and not to damage incurred in shipping or handling, or damage due to causes beyond the control of Digital Security Controls Ltd. such as lightning, excessive voltage, mechanical shock, water damage, or damage arising out of abuse, alteration or improper application of the equipment.

The foregoing warranty shall apply only to the original buyer, and is and shall be in lieu of any and all other warranties, whether expressed or implied and of all other obligations or liabilities on the part of Digital Security Controls Ltd. Digital Security Controls Ltd. neither assumes, nor authorizes any other person purporting to act on its behalf to modify or to change this warranty, nor to assume for it any other warranty or liability concerning this product.

In no event shall Digital Security Controls Ltd. be liable for any direct, indirect or consequential damages, loss of anticipated profits, loss of time or any other losses incurred by the buyer in connection with the purchase, installation or operation or failure of this product.

Motion detectors can only detect motion within the designated areas as shown in their respective installation instructions. They cannot discriminate between intruders and intended occupants. Motion detectors do not provide volumetric area protection. They have multiple beams of detection and motion can only be detected in unobstructed areas covered by these beams. They cannot detect motion which occurs behind walls, ceilings, floor, closed doors, glass partitions, glass doors or windows. Any type of tampering whether intentional or unintentional such as masking, painting, or spraying of any material on the lenses, mirrors, windows or any other part of the detection system will impair its proper operation.

Passive infrared motion detectors operate by sensing changes in temperature. However their effectiveness can be reduced when the ambient temperature rises near or above body temperature or if there are intentional or unintentional sources of heat in or near the detection area. Some of these heat sources could be heaters, radiators, stoves, barbeques, fireplaces, sunlight, steam vents, lighting and so on.

**WARNING: Digital Security Controls Ltd. recommends that the entire system be completely tested on a regular basis. However, despite frequent testing, and due to, but not limited to, criminal tampering or electrical disruption, it is possible for this product to fail to perform as expected.**

**IMPORTANT INFORMATION: Changes or modifications not expressly approved by Digital Security Controls Ltd. could void the user's authority to operate this equipment.**

